

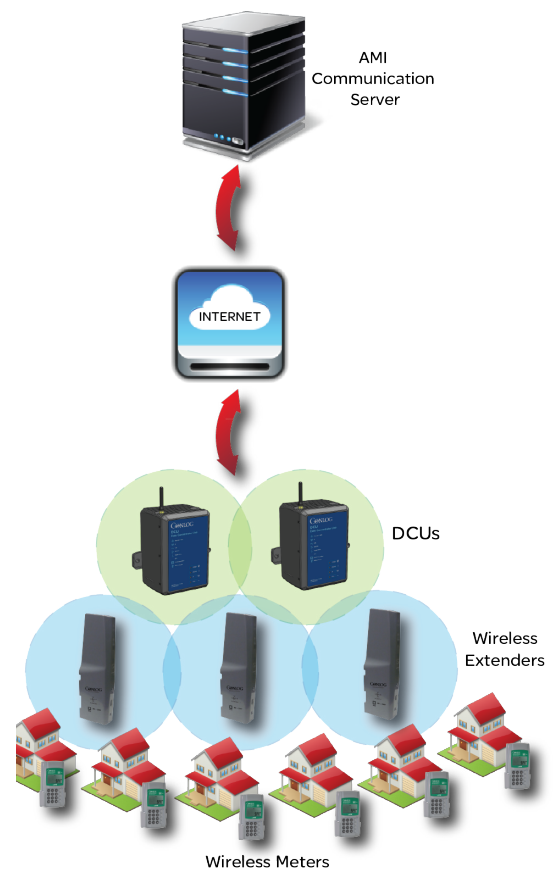
The link in your smart solution

Data Concentrator Unit (DCU)

It all comes together in the form of Conlog's Data Concentrator Unit (DCU). An integral link between the front and head-end system, the DCU is responsible for the routine collection, storage and communication of metering data. The DCU is a primary means of remote communication and is capable of reading and writing data to and from metering devices.

Packed with features, the DCU performs various activities as required by the AMI System. These include meter discovery, meter reading, remote disconnection, reconnection of meters and load management processes. In addition, the DCU provides up to date reporting on status changes such as tamper detection in the metering device and is capable of delivering tokens on request.

Communication problems are a thing of the past as the DCU has the ability to collect and store data for subsequent retrieval. Diagnostic features include communication of critical changes to the AMI back end system, through the recording of system logs.



Features

- > Collection, storage and communication of metering data
- > Up to date reporting of status changes
- > Recording of system logs for diagnostic purposes
- > Automatic discovery of new meters
- > STS Token delivery
- > Remote disconnection and reconnection of meters
- > Automatic reconnect upon link failure



We see a world where we can all achieve more while using less



We help utilities maximise their service delivery



Our products, solutions and services are simple, efficient and innovative

Product specifications

Electrical ratings

Nominal voltage (Un)	127 / 230 Volts AC (50 / 60Hz)
Nominal voltage range	85 to 265 Volts AC
Minimum start up voltage	85 Volts AC
Withstand voltage	440V / 48 hours
Current Rating	47mA
Power	4 watts

Battery

Battery type	LiPo (Lithium Polymer) > 1.8Ah Rechargeable
Battery voltage	3.6 Volts
Operating voltage range	3.3 to 4.2V
Battery life span	5 years

Communication

Ethernet	10 / 100 Full-duplex with auto-negotiation IPv4 DHCP, DNS or static IP configurations
Plug-in GSM module	Quad-band GSM850, EGSM900, DCS1800, PCS1900 Integrated antenna
Protocol	Conlog proprietary
Security	128-bit encryption with CBC

Functionality

- Automatic discovery of electricity meters
- Remote meter reading
- Event notification (metering events)
- Tamper detection
- STS Token delivery
- Demand side management (Load shedding)
- GPS for time synchronisation and location
- Remotely Upgradeable
- Battery backed-up real time clock
- USB interface for system configuration and data retrieval
- Battery backed up – Last gasp communications support
- Plug-in communication module slots - upgradeable

Installation

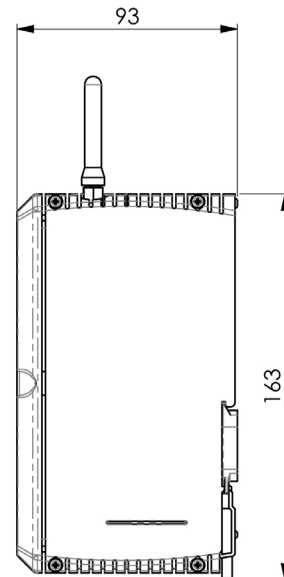
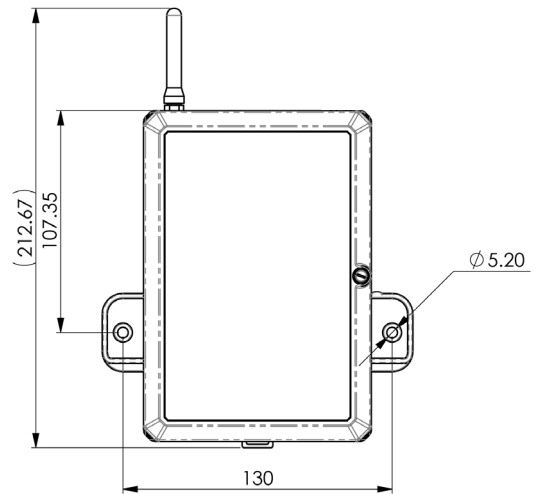
Footprint	Wall or DIN Rail mounted
Insulation class	Double insulation

Environmental

Standard operating temperature	-10°C to +55°C
Storage temperature	-25°C to +70°C

Packaging

Units per carton	1
Total weight (incl. box and accessories)	600g



Conlog

Conlog (Pty) Ltd
 Reg.No. 1982/011895/07
 P O Box 2332, Durban, 4000, South Africa
 Tel +27 (31) 268-1111 Fax +27 (31) 268-1500
 www.conlog.co.za
 info@conlog.co.za