

Metering all your needs

BEC44 range

Conlog's latest BEC44 range once again revolutionises the industry, as the world's first and smallest DIN rail mounted prepayment meter, has just got even smaller. Added to that is the ability for the meter to operate as either a prepayment or post-payment meter. Galvanic isolation is standard across the range, as is a host of configurable management options such as emergency credit, life line, consumption limiting and administrator modes. Further, the meters are available as wired and non-wired solutions.



Enhanced security & protection features

Remote and manual disconnect/reconnect
> Detection of bypass and illegal connections
> Management of unpaid post paid accounts
> Activate and test meter disconnection device

Token Entry lockout
> Protection against fraudulent token attacks

Delayed reconnection
> In rush current protection of utility assets
> Protects appliances from surge due to load shedding

Features

- > Active power measurement
- > Power factor measurement
- > Renewable energy management
- > Power overload protection
- > Current overload protection
- > Thermal overload protection
- > Configurable tamper detection
- > Pre-paid and post-paid mode
- > Under and over voltage protection
- > Reverse line/load protection
- > Emergency and lifeline support
- > Configurable low credit alarm threshold
- > Operates in extreme supply conditions
- > Communication status LED



We see a world where we can all achieve more while using less



We help utilities maximise their service delivery

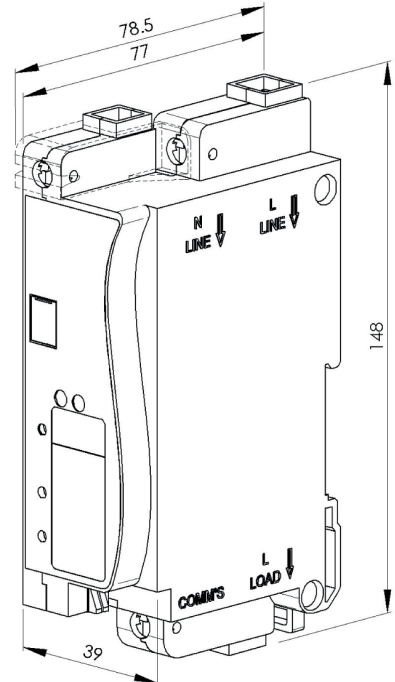
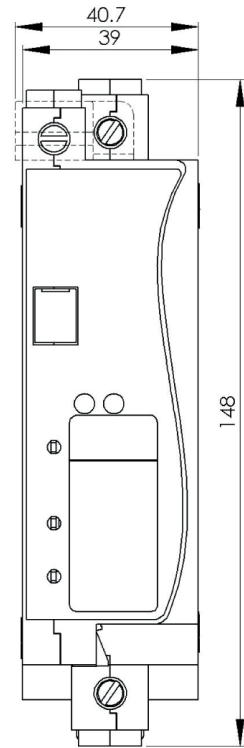


Our products, solutions and services are simple, efficient and innovative

Product specifications

Voltage ratings			
Nominal voltage (-20% +15%)	110VAC - 127VAC	220VAC - 240VAC	
Supply frequency (±5%)	60Hz	50Hz	
Current ratings			
Base current (I _b)	5A		
Max current (I _{max})	100A		
Min starting current Class 1	20mA		
Utilisation category	UC2		
Transient Current (I _{tr})	0.5A		
Nominal power consumption			
	1.6W / 9VA		
Accuracy			
	Class 1 and 2 (maintained throughout life cycle of product)		
Over voltage rating			
	440VAC for 48 hours		
Short circuit rating			
	Short-circuit withstand 3.0kA		
Impulse voltage protection			
	6kV		
Protection			
	Power overload	Thermal overload	
	Current overload	Line / load reversal	
	Over / under voltage	Galvanic isolation	
	Delayed reconnection		
Environmental			
Operating temperature	-10°C to +55°C		
Storage temperature	-25°C to +70°C		
Humidity	95% non-condensing		
IP rating	IP 54 (Meter and user interface unit)		
RF immunity	30V/m		
Status indicators			
	Load / power status		
	MCU / UIU communication		
	Rate LED (1000 pulses / kWh)		
Installation			
Footprint	DIN rail mounted (35mm)		
Insulation class	Double insulation		
Terminals			
Type	Live Cage clamp	Neutral Cage clamp	Communication Spring clamp
Maximum size	25mm ²	16mm ²	0.7mm ²
Interrogation			
Type (Optional)	MC171 direct probe		
	USB type port		
	Flags		
	Radio frequency		
Security			
Meter housing	Security seals		
Tamper protection	Tamper terminal cover		
	Load disconnection on tamper detection		
Standards			
	IEC 62052-11	IEC 62055-51	DSP 34-749
	IEC 62053-21	IEC 62055-52	DSP 34-1527
	IEC 62055-21	SANS 1524-1	DSP 34-1635
	IEC 62055-31	SANS 15417	ISO 14001:2004
	IEC 62055-41	ISO 18001:2007	ISO 9001:2008
Packaging			
Units per carton	10		
Carton weight (incl box)	3.12kg		
	For further packaging information, kindly contact Conlog		

* Subject to ambient conditions



Conlog

Conlog (Pty) Ltd
 Reg. No. 1982/011895/07
 P O Box 2332, Durban, 4000, South Africa
 Tel +27 (31) 268-1111 Fax +27 (31) 268-1500
 www.conlog.co.za
 info@conlog.co.za