

Accessing your meter data

User Interface Unit (UIU) ranges

An innovation in the prepayment industry has been the use of split meters, whereby the metering device is installed outside the consumer's premises and a small User Interface Unit (UIU) is positioned within the premises. The UIU is a small keypad device that enables the consumer to enter their electricity credit and access some functionality, such as a variety of consumption data.



Features

- > Tactile keypad with optional audible feedback
- > Large, clear LCD display
- > Low credit warning and available credit
- > Status of consumer's supply
- > Token accept/reject
- > Previous entered STS tokens (meter dependent)
- > Enhanced security



We see a world where we can all achieve more while using less



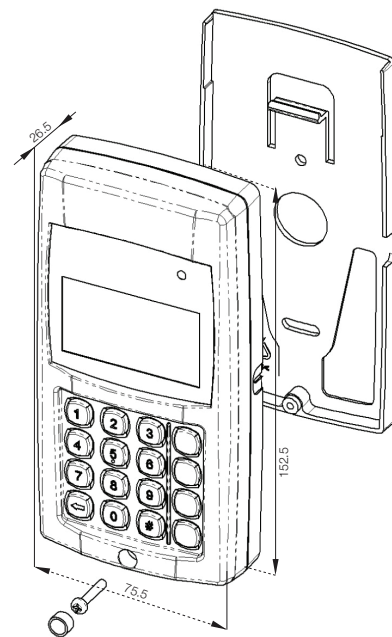
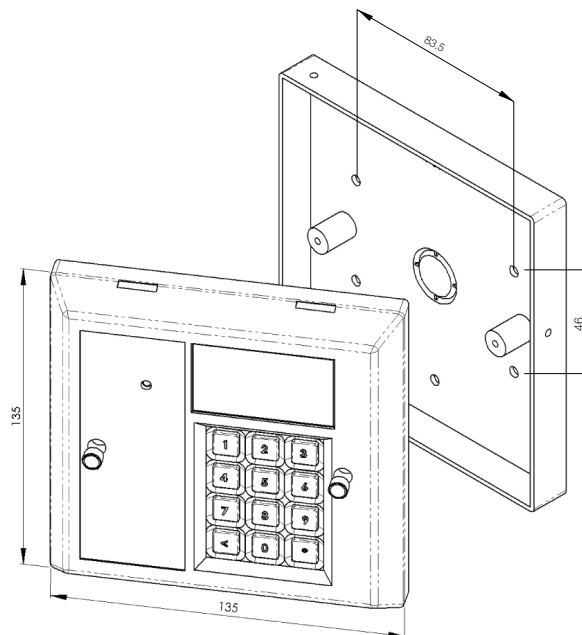
We help utilities maximise their service delivery



Our products, solutions and services are simple, efficient and innovative

Product specifications

Customer displayed information	Status of consumer's AC supply Available credit Low credit warning Token accept / reject Previously entered STS tokens (meter dependant) Meter status register Consumption data
Displays	Number of digits: 7 major / 2 minor Character height: 15mm / 7mm Type: Liquid crystal display Viewing area: 53mm x 30mm Enunciators: 10 segment bar graph
Keypad	Columns x rows: 3 x 4 Key press feedback: tactile / silicon rubber keys Accessibility: visually impaired friendly
Communication connection	Hard wired Wireless (RF)
Audible feedback	Key presses Token acceptance / rejection Low credit warning
IP rating	IP54 UIU(09) IP51 UIU(05)
Standards	IEC 620522-11 ISO 9001:2008 IEC 62053-21 ISO 14001:2004 IEC 62055-41 ISO 18001:2007 SANS1524-1
Packaging	Units per carton: 10 For further packaging information, kindly contact Conlog



Conlog

Conlog (Pty) Ltd

Reg. No. 1982/011895/07

PO Box 2332, Durban, 4000, South Africa

Tel +27 (31) 268-1111 Fax +27 (31) 268-1500

www.conlog.co.za

info@conlog.co.za