

WEX goes the extra mile

WEX(09)

Conlog sets the benchmark for range extenders in the wireless metering world with the creation of the Wireless Extender (WEX). Through innovative products Conlog uses radio frequency (RF) as an efficient and effective form of wireless communication. The WEX serves to aide wireless coverage by increasing the range between wireless devices ensuring consistent communication that is cost effective to maintain and install. Working on a many to one principle the WEX supports up to 24 devices and can extend the range up to 150m (line of sight). Mounting options include DIN rail, wall mount or pole-top installation.



Available in 3 versions

- > WEX (09) Mains Powered: Permanent AC Mains supply
- > WEX (09) Street Light Powered: Permanent AC Mains supply with battery backup
- > WEX (09) Solar Powered: Battery powered, charged via solar panel.

Features

- > Extends range up to 150m (line of sight)
- > Supports up to 24 devices
- > Quick and easy installation
- > Cost effective
- > Heat shield



We see a world where we can all achieve more while using less



We help utilities maximise their service delivery



Our products, solutions and services are simple, efficient and innovative

Product specifications

Electrical ratings

Operating voltage range 85 VAC - 265 VAC
Frequency 50/60 Hz

Battery ratings

Battery type Li Po (Lithium Polymer) > 1.8Ah Rechargeable
Battery voltage 3.6 volts
Battery operating voltage range 3.3 V to 4.2 V

Solar panel electrical ratings

Voltage at maximum output 5 V
Current at maximum output 410 mA

Charging options

Powered via the mains source (85 VAC - 265 VAC / 50/60 Hz)
Battery powered via PV solar panel

Mounting

DIN rail, wall mount and pole top mounting

Communication

RF:433MHz < 10mW ERP

RF communication distance

~ 150m to the wUIU

Devices supported

Up to 24 devices

Environmental

Operating temperature -10 °C to +55 °C
Storage temperature -25 °C to +75 °C
Humidity 95% non-condensing
Operating Altitude 0 to 2500m above sea level
IP rating IP55
Insulation class Double insulation

WEX

Solar panel

-40 °C to 85 °C

Protection

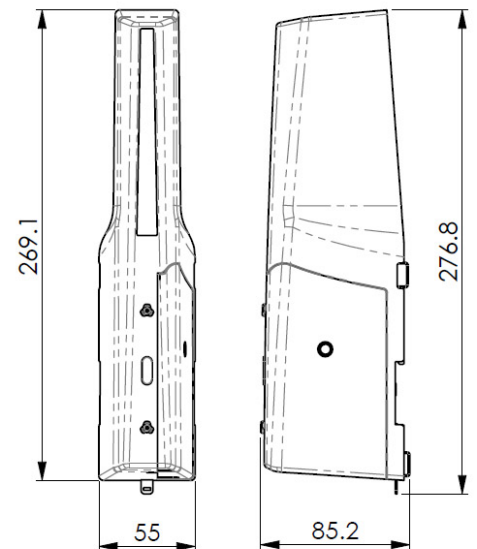
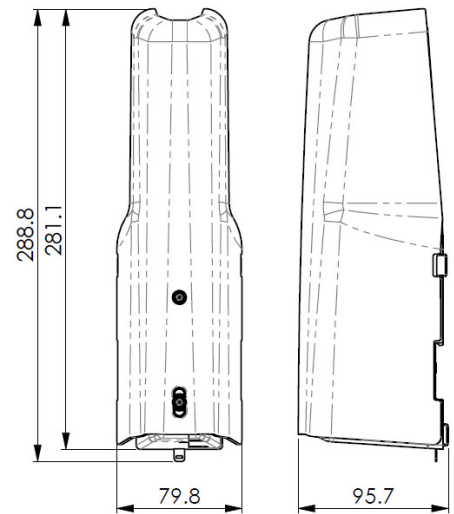
Heat shield

Standards

IEC 61000-4-2	STS 101-1
IEC 61000-4-3	CISPR 22
IEC 60950-1	NRS 049-1:201
IEC 62051	ISO 14001
IEC 62056-21	ISO 9001
IEC 62055-52	OHSAS 18001
SANS 60529/ IEC 60529	SANS 60950
SANS 62055-51/ IEC 62055-51	
SANS 62056-21/ IEC 62056-21	
SANS 62055-41/ IEC 62055-41	
SANS 300 220-1/ETSI EN 300 220-1	

Packaging

Units per carton 1
Carton weight (incl. box) 600g



Conlog

Conlog (Pty) Ltd
Reg.No. 1982/011895/07
P O Box 2332, Durban, 4000, South Africa
Tel +27 (31) 268-1111 Fax +27 (31) 268-1500
www.conlog.co.za
info@conlog.co.za